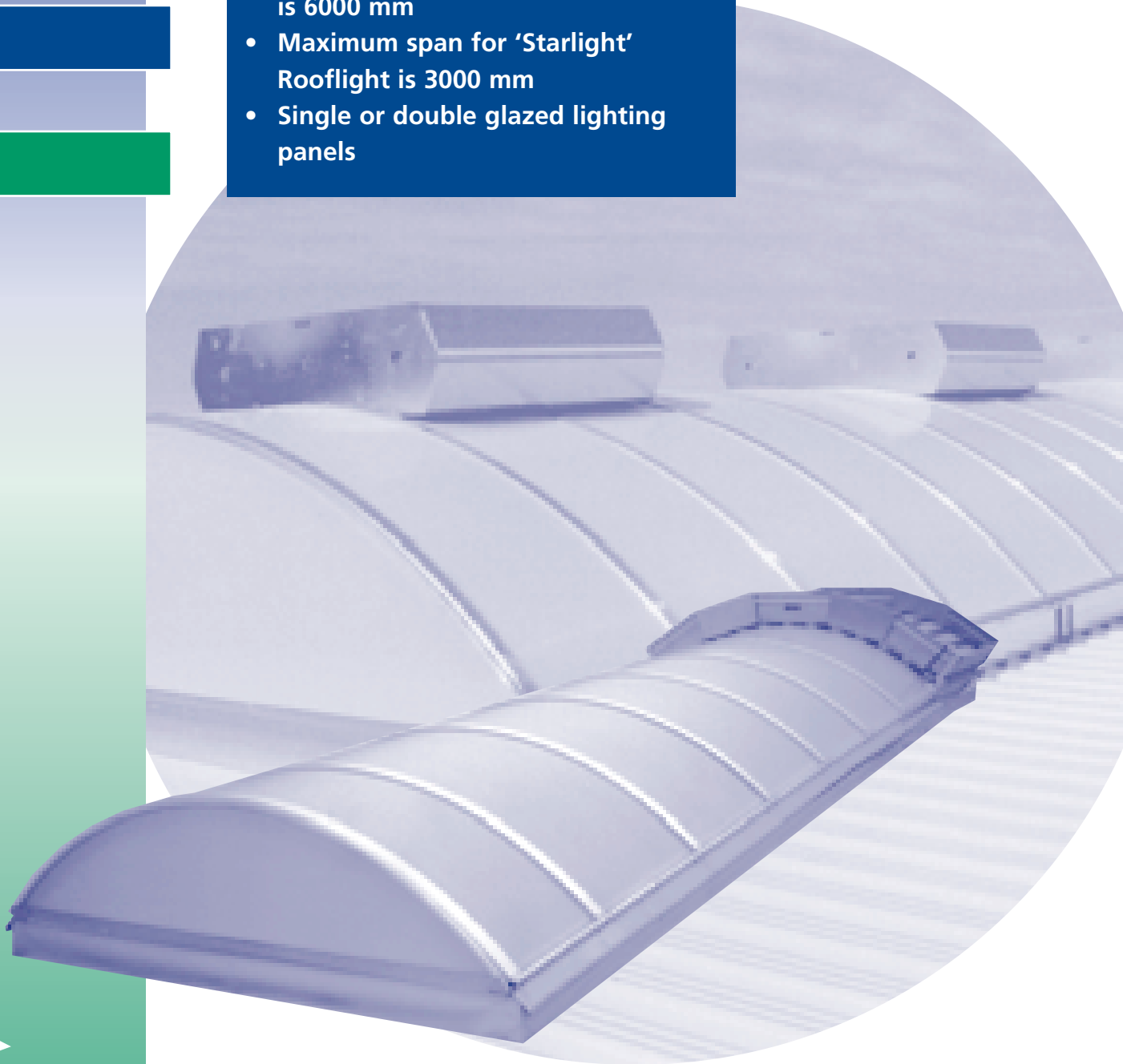


LIGHT & STARLIGHT

ROOFLIGHTS

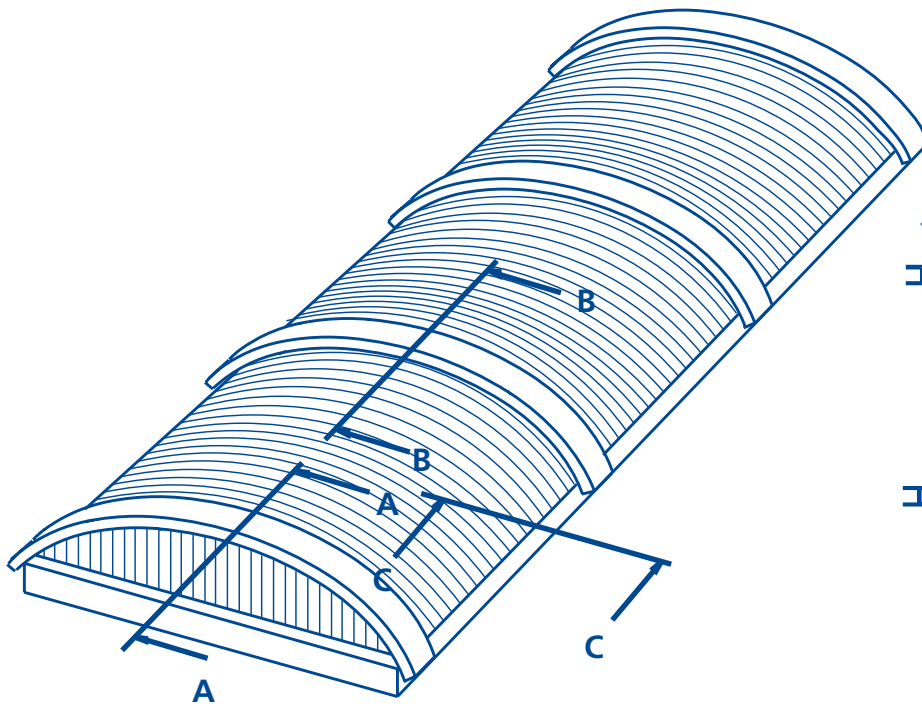
- Daylighting
- Maximum span for 'Light' Rooflight is 6000 mm
- Maximum span for 'Starlight' Rooflight is 3000 mm
- Single or double glazed lighting panels



Bovema 
Konstrukties B.V.

Bovema Konstrukties B.V. is a member of the international Bovema Beheer Group

TECHNICAL SPECIFICATIONS



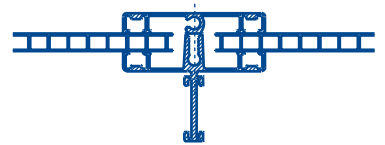
Rooflight system
Section B -B



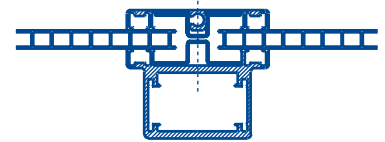
Starlight



Light Type 1



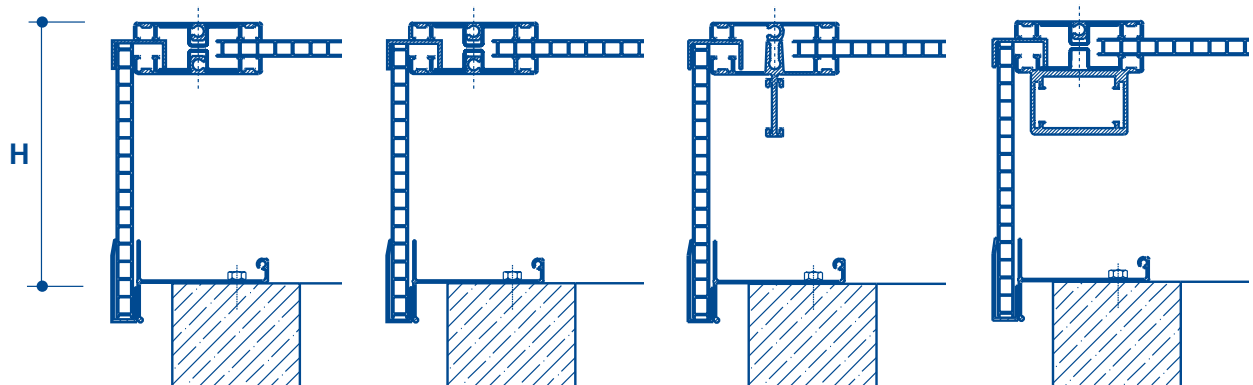
Light Type 2



Light Type 3



Detail shows the front end of the roof light dome mounted to the kerb stand. A - A



Starlight

Light Type 1

Light Type 2

Light Type 3



Lloyds Quality Assurance audits the production process and management systems twice each year.

LIGHT & STARLIGHT Rooflights

Light / Starlight selection table Maximum width of roof opening in mm -->

Type	1500	2000	2500	3000	3500	4000	4500	5000	5500	6000
Light 1										
Light 2										
Light 3										
Starlight										

Any length of rooflight is available

 = Availability

Standard centre-to-centre distance of glazing bars is 1060 mm

(Alternatives available to special order)

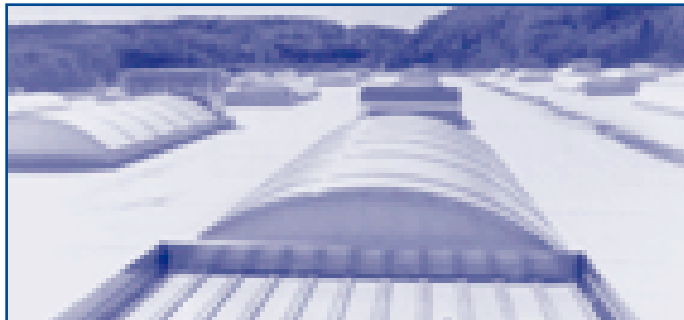
Data for clear transparent double glazed units

	Polycarbonate Sheet	6 mm	8 mm	10 mm	10 mm	16 mm	16 mm	20 mm	25 mm
		2 RS	2 RS	2 RS	3 TS	3 TS	4 TS	5 RS	6RS
	Weight gr/m ²	1300	1500	1700	2000	2800	3000	3300	3500
Light transmission in %	transparent	82	82	81	73	76	75	64	44
	opal	58	54	48	48	48	48	38	24
K-value in W/m ² .K		3.5	3.3	3	2.7	2.4	2.2	1.8	1.5
Noise reduction in dB		18	18	19	19	21	21	22	23
R-min. in mm		1050	1400	1750	1750	2800	2800	2800	3375

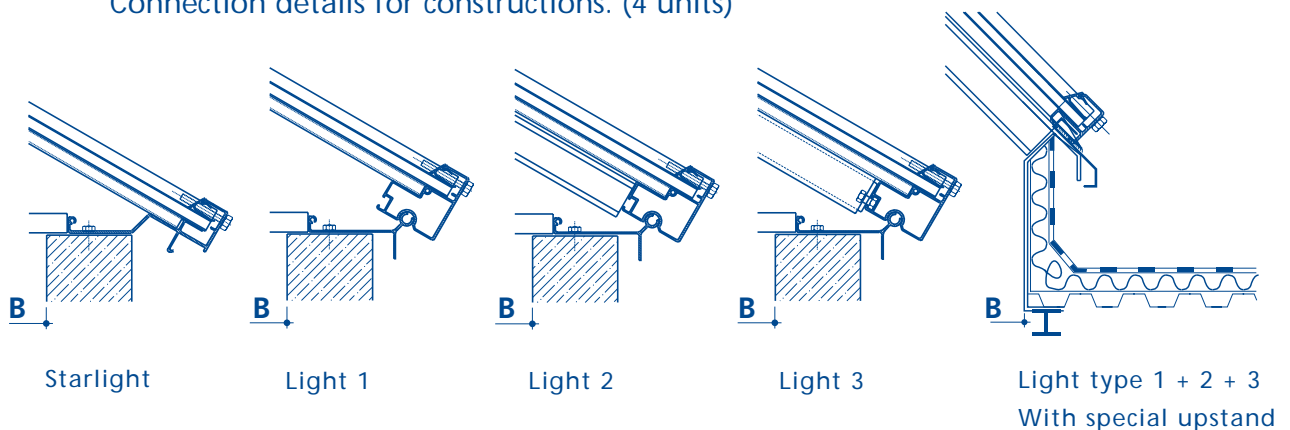
Model RS 2 wall construction

Model TS 3 wall construction

* These are our standard products however we can produce other products to customers specifications.



Connection details for constructions. (4 units)



General information

DESCRIPTION

The Bovema "Light" and "Starlight" continuous dome rooflight units are manufactured from aluminium glazing bar sections with polycarbonate insert glazing panels. They are designed to provide for the natural lighting requirements of commercial and industrial buildings. The circular profile lightweight construction permits installation into any type of roof design. Glazing panels are available as single or double glazed transparent units in clear, opal or bronze colour finishes. Solar protective heat resistant glazing panels reduce excessive heating and minimise the glare from direct sunlight within the building. The glazing bars are formed from corrosion resistant aluminium sections, with integral condensate drainage channels. These, combined with the strong lightweight construction, ensure the units remain weather resistant at all times. The system also includes a purpose designed base connection, with flexible sealing bands to ensure a perfect fit to the roof construction. All models of roof light can have ventilators built in if required, to allow environmental ventilation or smoke extraction in the event of a fire. The ventilators may be selected from the Bovema standard range of aluminium or polycarbonate louvres or roof window units as required to meet the architectural requirements of the project. All ventilators can be provided with matching welded bases to fully integrate into the rooflight.

APPLICATIONS

Commercial buildings - Industrial buildings - Warehouses - Exhibition halls
Shopping centres - Swimming pools - Sports centres

DESIGN

The Bovema type LIGHT is available in opening widths of up to 6000 mm, with glazing panels up to 25 mm thick. The Bovema type STARLIGHT is available in opening widths of up to 3000 mm with glazing panels up to 16 mm thick. The type of section should be specified as Type 1, Type 2 or Type 3 dependant on the ratio of width to height required for various possible radii of rooflight curvature. Please refer to the Selection Table for specific details. The standard "centre-to-centre" length of each bay for all types of rooflight is 1060 mm. Alternative lengths can be available, subject to consultation, for special projects. The Bovema LIGHT rooflight has a variable base section which allows the construction of virtually any desired radius and pitch combination, the most common requirement being for a height to width ratio of 1 : 5. The Bovema STARLIGHT rooflight has only one available height to width ratio, that being 1 : 5. The glazing bar sections comprise an inner support frame with integrated condensate drainage channel plus an outer top cap. The top cap is retained by an ingenious tensioning system which applies a defined and evenly distributed pressure to the glazing system joints. This ensures a watertight construction which also allows expansion and contraction to accommodate variations in environmental conditions.

MATERIALS

Aluminium sections : AlMgSi 0.5.
Fixings : stainless-steel
Glazing panels : Polycarbonate units

The polycarbonate glazing panels are available in clear, opal or bronze coloured translucent material. The panels may be single or multi - wall construction as required. The panel thickness depends on the rooflight width and bay length.

COLOUR

The glazing bar systems for all rooflights are supplied as standard in natural mill finished aluminium. A polyester powder paint finish may be supplied to any RAL colour selected from the Bovema standard range.

DETAILS

Thermally insulated and solar reflective transparent glazing panels, Energy efficient natural ventilators, heat and smoke ventilators for fire conditions, air conditioning units, and mechanical extract fans, may be integrated into the construction.

SERVICE

The Bovema group offer a comprehensive service covering the specification and installation of our products.

Bovema 